



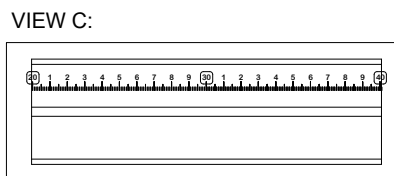
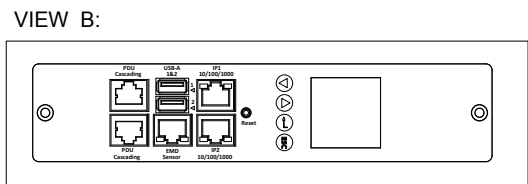
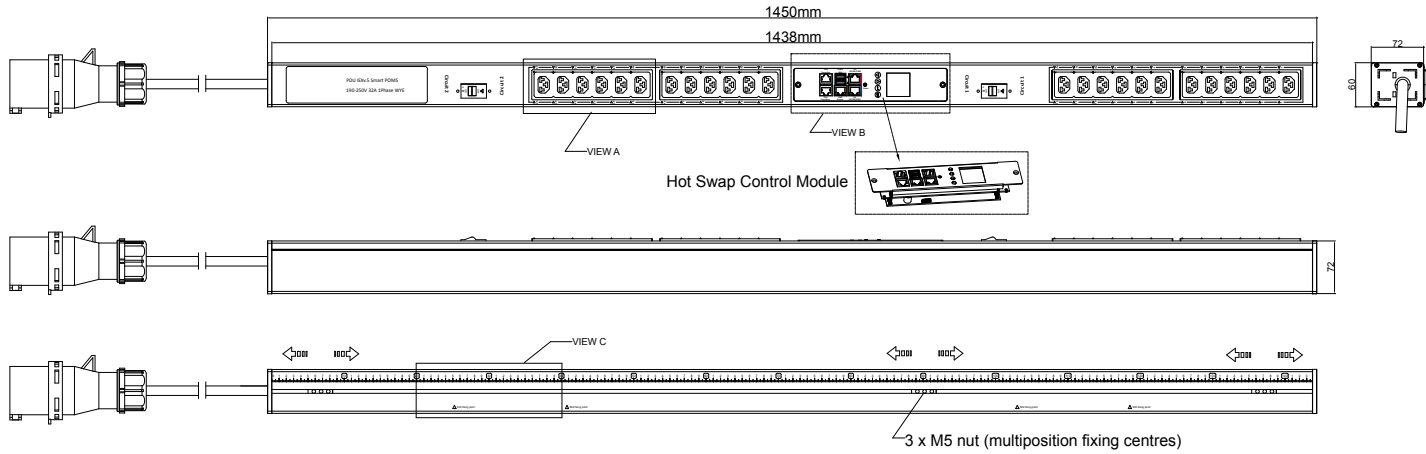
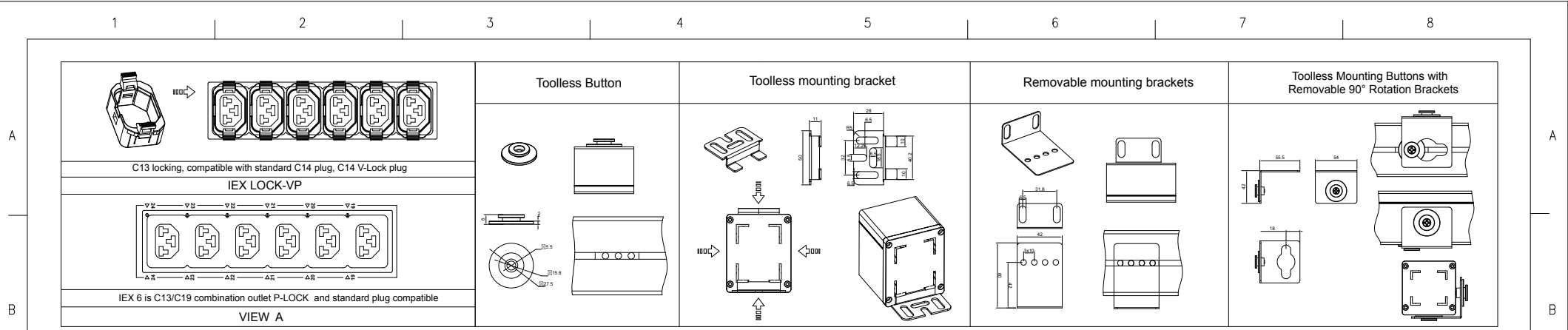


| FEATURES | |
|---|--|
| Technology | POM(Per outlet Metering) |
| Energy Metering | Voltage(V), Current(A), Active Power(W), Apparent Power (VA), Reactive Power (var), PF, Frequency(Hz), kWh |
| Metering per Input Line | Yes (Branch Circuit and Total Current) Accuracy 1% |
| Metering per Output Receptacle | Yes Accuracy 1,5% |
| Remote Outlet Switching | No |
| Ethernet Port | 2 Gigabit Ethernet ports to acces the PDU from 2 different networks |
| Networking Protocols | DHCP, IPv4 and IPv6, DNS, http / https, SSHv.2, SNMP v1 / v2c / v3, SNMP TRAPS / SETS / GETS, SMTP, Modbus , Telnet, TCP, RADIUS, Syslog, TLS 1.2, Sntp, ARP, ICMP, ICMPv6, UDP, NDP |
| PDU Cascading | 16 PDUs |
| Network Controller | Replaceable Hot Swappable controller with 4 button OLED display |
| Residual Current Monitoring | No (optional) |
| Rack Acces Control | Compatible with DCIM solutions |
| USB Ports | 2 USB A ports WiFi networking, webcam, PDU configuration and mobile interface |
| Environmental Sensors | All in one Temperature and Humidity sensor with 2 digital inputs (for connect air flow, door sensor, water leak, smoke detector and Vibration sensor) plug and play bus allows to connect 8 EMD devices in one PDU |
| INPUT | |
| Plug | IEC 60309 1P+N+E 6h 32A 250V SINGLE PHASE |
| Lead length | 3 meter |
| Cable type | H07RN-F3G4.0 mm ² |
| Max. Input Load | 32A |
| Rated Input voltage | 190-250V Single phase |
| Frequency | 50-60Hz |
| Power capacity | 7.3kW |
| OUTPUT | |
| Rated Output voltage | 190-250V Single phase |
| Output types | 24 IEX (C13/C19) combo with LED (Max rate 16A) EN61984+UL498 certified |
| Overload Protection | (2) 1 Pole Carling 16A L31-X1-00-445-H62-D3 Icn 10Ka |
| CHASIS | |
| Dimensions (W x D x H) | 1450 x 60 x 72 mm |
| Color | RAL 9004 black powder coat |
| Mounting Options | 4 mounitng options (see page 2) |
| Mounting screws required torque | ≥2.54N·m (25.9kgf·cm or 22.4 in·lbs) |
| OPERATING ENVIRONMENTAL | |
| Temperature Range | 0° to 60° C (30° to 140° F) |
| Humidity | 0 - 95 % |
| Elevation | 0 - 4000 Meters |
| CONFORMANCE | |
| IEC 62368-1 (Third Edition) | |
|     | |

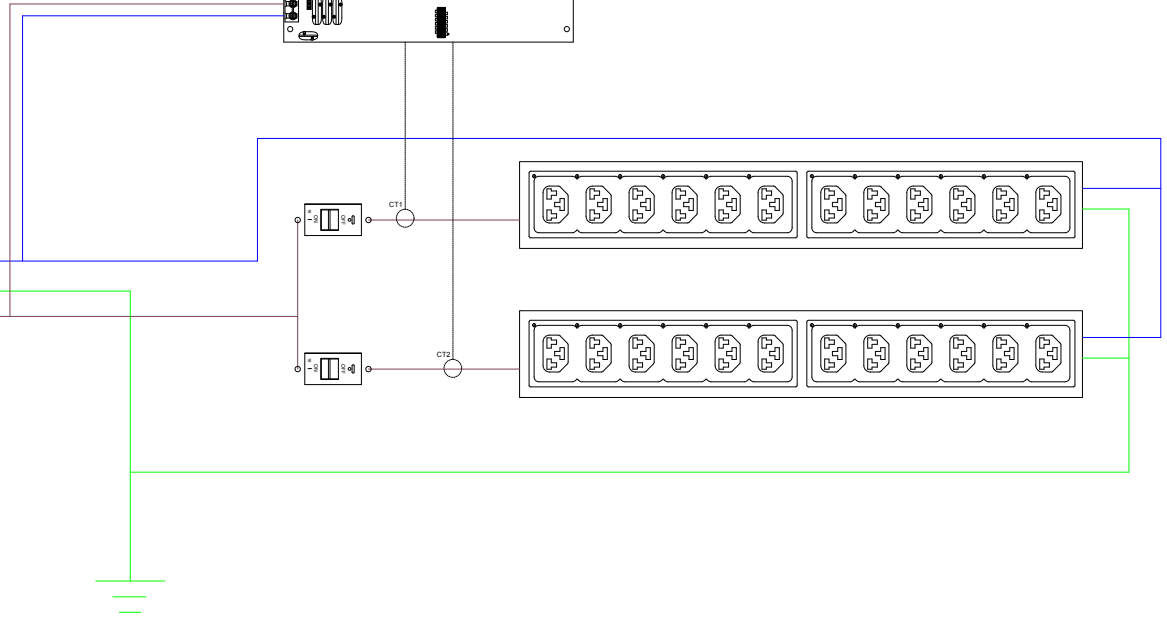
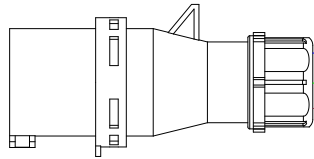
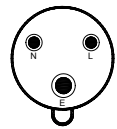


| | | | | | | | | | | | |
|--|--|--|--|--|--|---|--|------------|--------------------|-------------|--|
| POM Series Inlet Power monitoring Per outlet monitoring Environmental monitoring | OUTPUT (24) IEX (C13/C19) combo with LED Black (Max rate 16A) | OPERATING TEMPERATURE 0° to 60°C | Revisions | | | unit=mm TECHNICAL STANDARD IT11; NO RUSTNESS NO FLAW ON THE SURFACE | Housing Aluminium Black Powder coating RAL9004 | | | | |
| | | | INPUT 190-250VAC 32A 50HZ IEC60309 32A 1P+N+E plug 3m H07RN-F3G4mm ² Power lead | BRANCH CIRCUITS (2) 1 Pole Carling 16A L31-X1-00-445-H62-D3 | MOUNTING ACESORIES (2) Toolless Button (2) Toolless mounting bracket (2) Removable mounting brackets (2) Toolless Mounting Buttons with Removable 90° Rotation Brackets | | | Rev | Description | Date | FILLET R0.5 ANGLE ±0.5° FIRST ANGLE |
| | | | DATE 11-12-2020 | | | | | | | | |


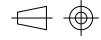
DRAWING TYPE

(NO PERMISSION, NO CHANGING)

IEXCBPOM502432AV



Meter Board

| | | | |
|--|-------|-------------------------|----------------------|
| DRAWING TYPE | | IEXCBPOM502432AV-wiring | |
|  (NO PERMISSION.NO CHANGING) | | Housing | Aluminium |
| unit=mm | | | Black Powder coating |
| TECHNICAL STANDARD IT11; NO RUSTNESS NO FLAW ON THE SURFACE | | | RAL9004 |
| FILLET | R0.5 | | |
| ANGLE | ±0.5° | | |
| FIRST ANGLE | | | |
|  | | DATE 11-12-2020 | |

1 2 3 4 5 6 7 8

A

A

B

B

E

F

F

1 2 3 4 5 6 7 8